

Photoshop users can use this PDF as a design template by rasterizing it in CMYK mode at 300ppi.

Please save Your artwork as PSD or PDF file, mode to CMYK Color and resolution to 300pixels/inch. Make sure the template is on its own layer. The pink guide shows where the package will be trimmed to final size. The light blue guide show 3mm bleed where needed. The green guide show the type safe area. It is important to include bleed. Printed pieces are cut to size in stacks and do not get cut exactly on the trim lines. Bleed is background image extending beyond the trim line to be cut off. This prevents any blank paper from showing along the cut edges. The same applies to the type safe margins. Any text inside the safety guide will not be cut if the print is cut slightly inside the trim lines. Embed Your pictures in Your artwork and outline texts, we do not accept attached fonts or pictures.

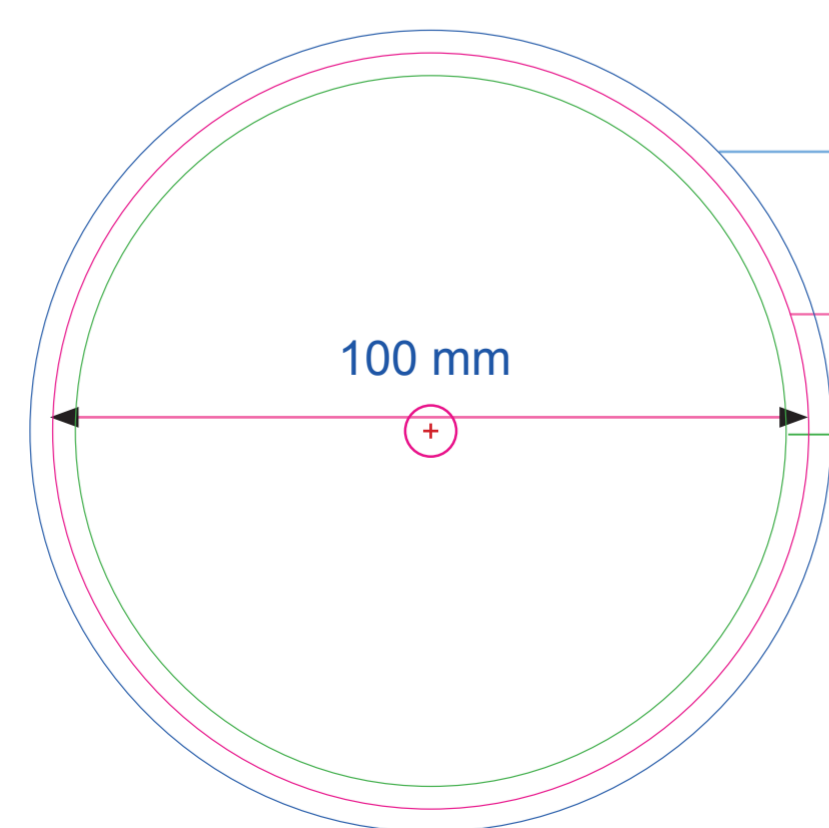
VINYL OUTER SLEEVE



- Make sure your design extends to the outside edge of the Bleed Area to avoid white borders around your print.
- The trim line indicates the edge of your final print.
- To avoid any essential items being cut off, keep text and critical design elements inside the Safety margin

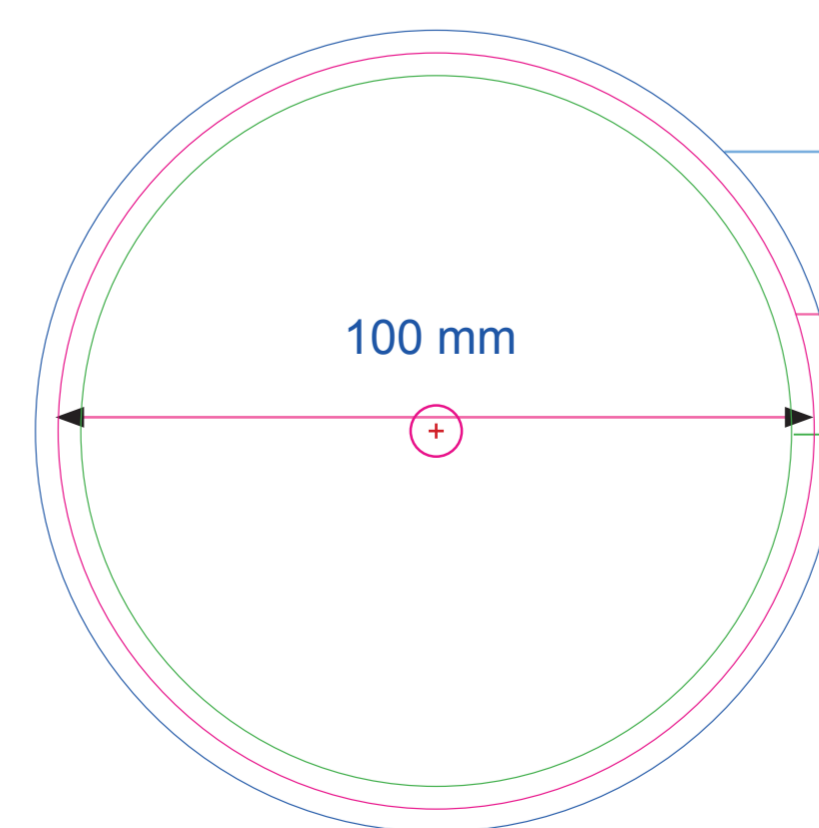
BACK COVER

FRONT COVER



LABEL A-side

- Make sure your design extends to the outside edge of the Bleed Area to avoid white borders around your print.
- The trim line indicates the edge of your final print.
- Safety margin



LABEL B-side

- Make sure your design extends to the outside edge of the Bleed Area to avoid white borders around your print.
- The trim line indicates the edge of your final print.
- Safety margin



VINYL INNER SLEEVE

